

NOMENCLATURE PARTS LIST



Management System
ISO 9001:2008
www.tuv.com
ID 9105054937

DELABIE

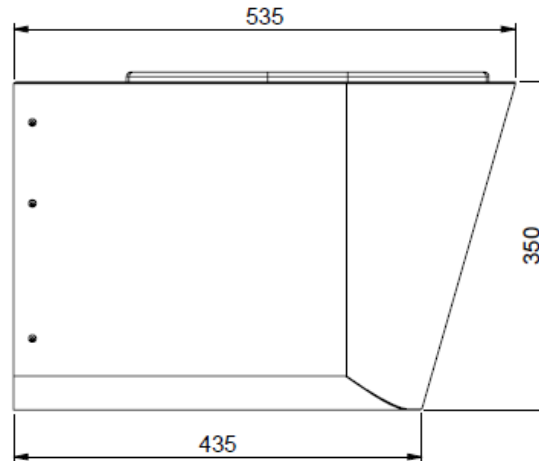
Revision: A

Product Reference:

110310PAD

Description:

**WC S21 S Satin Horizontal
Water Inlet w/ Seat Pads Black
Polyethylene**

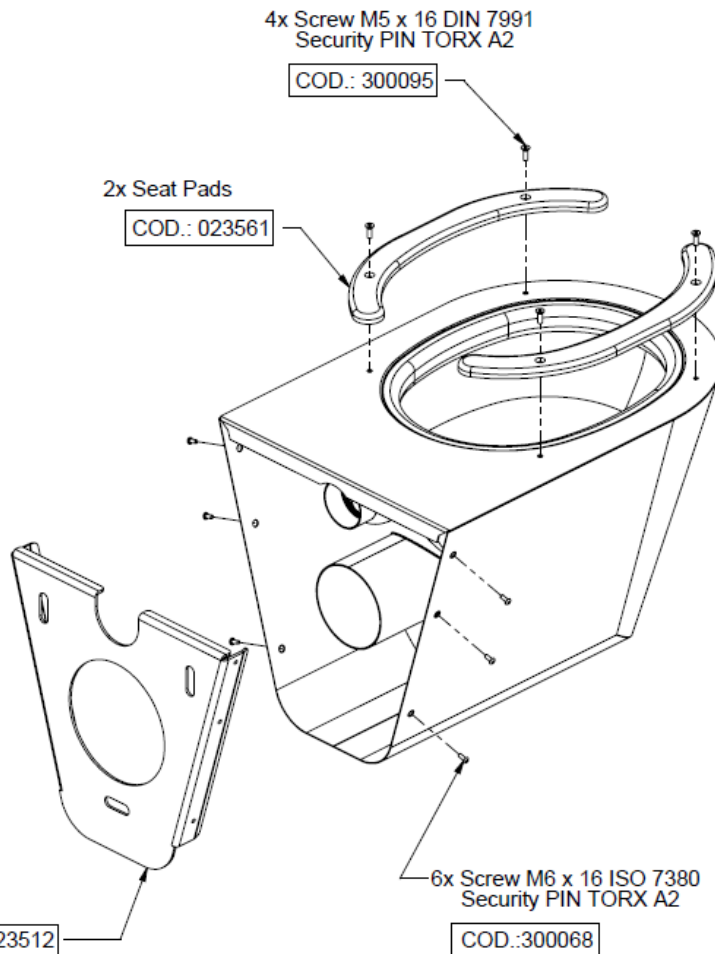


4x Screw M5 x 16 DIN 7991
Security PIN TORX A2

COD.: 300095

2x Seat Pads

COD.: 023561



6x Screw M6 x 16 ISO 7380
Security PIN TORX A2

COD.:300068

1x COD.: 023512

P13.0.01-D

Prepared by: Gisela Correia

Date: 20-02-2017

Verified by:F.Ramos

Date:

Page 1 of 1